

Figura	Diámetro de varilla	"B"	"C"	"T"	Carga		Peso / 100	
					Lbs.	Kn.	Lbs.	Kg.
SC 638	1/4" - 20	3/8"-16	2 1/2" (63.5)	1/8" (3.2)	600	(2.67)	70	(31.7)
SC 639	5/16" - 18	3/8"-16	2 1/2" (63.5)	1/8" (3.2)	600	(2.67)	70	(31.7)
SC 640	3/8" - 16	3/8"-16	2 1/2" (63.5)	1/8" (3.2)	600	(2.67)	70	(31.7)
SC 641	3/8" - 16	1/2"-13	2 1/2" (63.5)	3/16" (4.8)	1000	(4.45)	107	(48.5)
SC 642	1/2" - 13	1/2"-13	2 1/2" (63.5)	3/16" (4.8)	1000	(4.45)	107	(48.5)
SC 643	1/2" - 13	1/2"-13	2 1/2" (63.5)	1/4" (6.3)	1500	(6.67)	131	(59.3)
SC 644	5/8" - 11	1/2"-13	2 1/2" (63.5)	1/4" (6.3)	1500	(6.67)	131	(59.3)
SC 645	5/8" - 11	5/8"-11	2 1/2" (63.5)	5/16" (7.9)	2200	(9.78)	167	(75.7)
SC 646	3/4" - 10	5/8"-11	2 1/2" (63.5)	5/16" (7.9)	2200	(9.78)	167	(75.7)

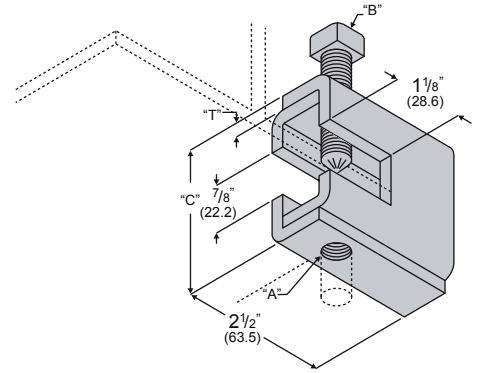


Figura	Diámetro de varilla	"B"	"C"	"T"	Carga		Peso / 100	
					Lbs.	Kn.	Lbs.	Kg.
SC 647	1/4" - 20	3/8"-16	3 5/8" (92.1)	1/8" (3.2)	750	(3.34)	100	(45.3)
SC 648	5/16" - 18	3/8"-16	3 5/8" (92.1)	1/8" (3.2)	750	(3.34)	100	(45.3)
SC 649	3/8" - 16	3/8"-16	3 5/8" (92.1)	1/8" (3.2)	750	(3.34)	100	(45.3)
SC 650	3/8" - 16	1/2"-13	3 5/8" (92.1)	3/16" (4.8)	1200	(5.34)	152	(68.9)
SC 651	1/2" - 13	1/2"-13	3 5/8" (92.1)	3/16" (4.8)	1200	(5.34)	152	(68.9)
SC 652	1/2" - 13	1/2"-13	3 5/8" (92.1)	1/4" (6.3)	1800	(8.00)	204	(92.4)
SC 653	5/8" - 11	1/2"-13	3 5/8" (92.1)	1/4" (6.3)	1800	(8.00)	204	(92.4)
SC 654	5/8" - 11	5/8"-11	3 5/8" (92.1)	5/16" (7.9)	2000	(8.89)	261	(118.2)
SC 655	3/4" - 10	5/8"-11	3 5/8" (92.1)	5/16" (7.9)	2000	(8.89)	261	(118.2)

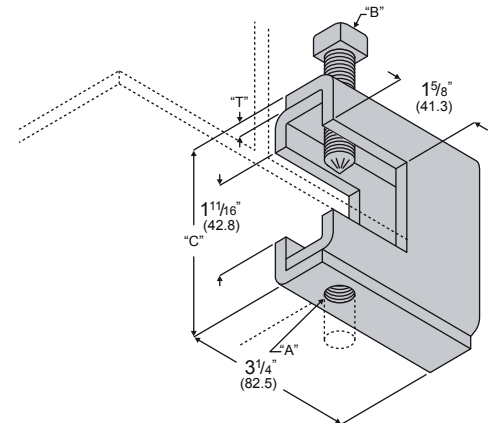


Figura	Ancho de la base		"A"	Peso / 100	
	Lbs.	Kg.		Lbs.	Kg.
SC 656	6"	(152.4)	9"	(228.6)	22 (10.0)
SC 657	9"	(228.6)	12"	(304.8)	30 (13.6)
SC 658	12"	(304.8)	15"	(381.0)	40 (18.1)
SC 659	15"	(381.0)	18"	(457.2)	49 (22.2)

