

Figura	Ancho de la base	Peso / 100 Lbs. Kg.
SC 621	Solamente Placa	76 (34.4)
SC 622	4" - 5 7/8" (101.6 - 149.2)	122 (55.3)
SC 623	6" - 8 7/8" (152.4 - 225.4)	129 (58.5)
SC 624	9" - 11 7/8" (228.6 - 301.6)	135 (61.2)
SC 625	12" - 14 7/8" (304.8 - 377.8)	141 (63.9)

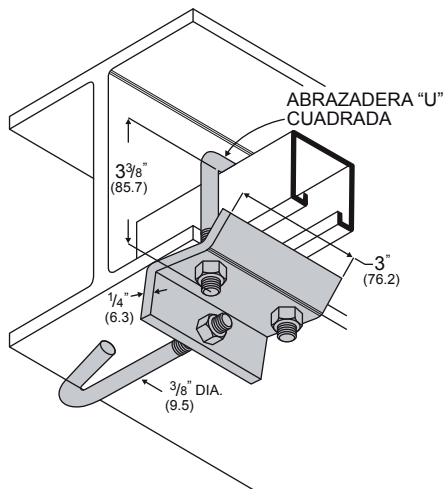


Figura	Ancho de la base	Peso / 100 Lbs. Kg.
SC 626	4" - 5 7/8" (101.6 - 149.2)	129 (58.5)
SC 627	6" - 8 7/8" (152.4 - 225.4)	136 (61.7)
SC 628	9" - 11 7/8" (228.6 - 301.6)	142 (64.4)
SC 629	12" - 14 7/8" (304.8 - 377.8)	148 (67.1)

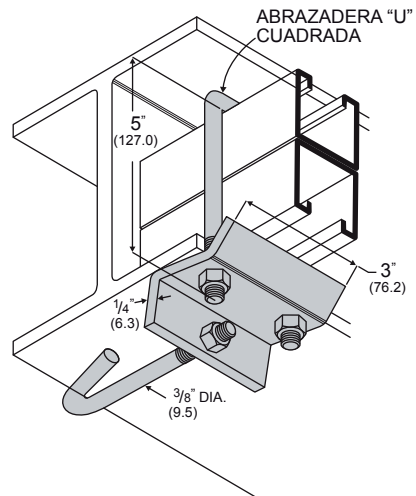


Figura	Ancho de la base	Longitud de varilla	Peso / 100 Lbs. Kg.
SC 630	4" - 5 7/8" (101.6 - 149.2)	4" (101.6)	202 (91.6)
SC 631	6" - 8 7/8" (152.4 - 225.4)	6" (152.4)	206 (93.4)
SC 632	9" - 11 7/8" (228.6 - 301.6)	9" (228.6)	214 (97.0)
SC 633	12" - 14 7/8" (304.8 - 377.8)	12" (304.8)	221 (100.2)

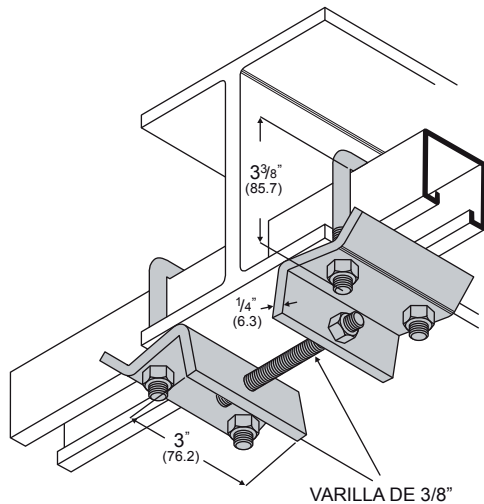


Figura	Ancho de la base	Longitud de varilla	Peso / 100 Lbs. Kg.
SC 634	4" - 5 7/8" (101.6 - 149.2)	4" (101.6)	216 (98.0)
SC 635	6" - 8 7/8" (152.4 - 225.4)	6" (152.4)	220 (99.8)
SC 636	9" - 11 7/8" (228.6 - 301.6)	9" (228.6)	228 (103.7)
SC 637	12" - 14 7/8" (304.8 - 377.8)	12" (304.8)	235 (106.6)

