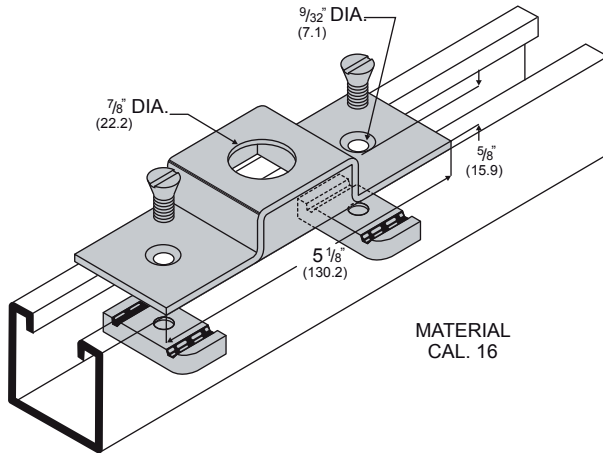
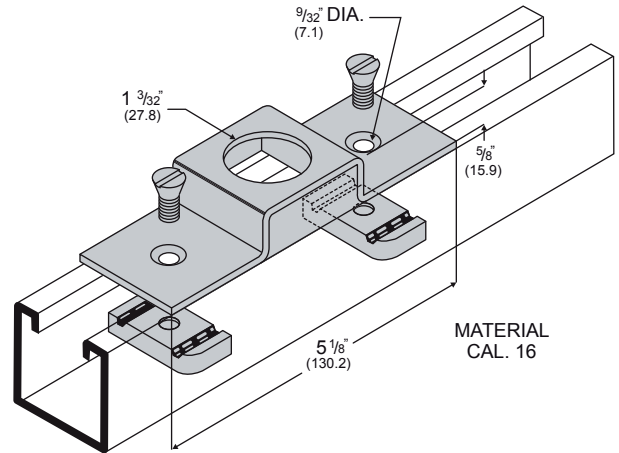


SC-559



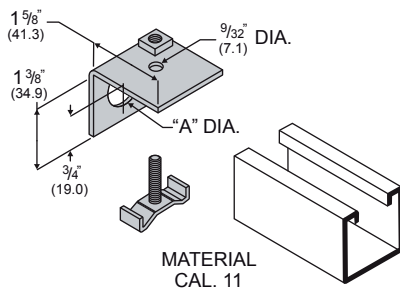
MATERIAL
CAL. 16

SC-560



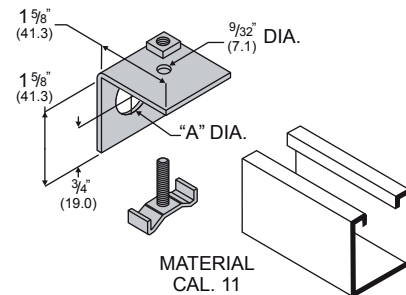
MATERIAL
CAL. 16

Figura	Díámetro de tubo	"A"	Peso / 100 Lbs.	Kg.
SC 561	1/2" (15)	7/8" (22.2)	20	(9.1)
SC 562	3/4" (20)	1 1/16" (27.0)	19	(8.6)



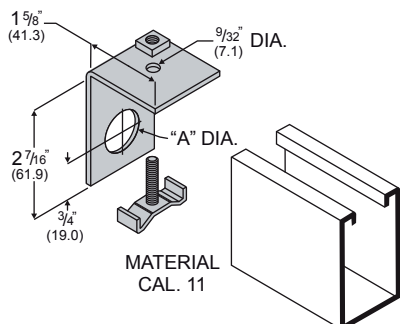
MATERIAL
CAL. 11

Figura	Díámetro de tubo	"A"	Peso / 100 Lbs.	Kg.
SC 563	1/2" (15)	7/8" (22.2)	21	(9.5)
SC 564	3/4" (20)	1 1/16" (27.0)	20	(9.1)
SC 565	1" (25)	1" Tubo Roscado	17	(7.7)



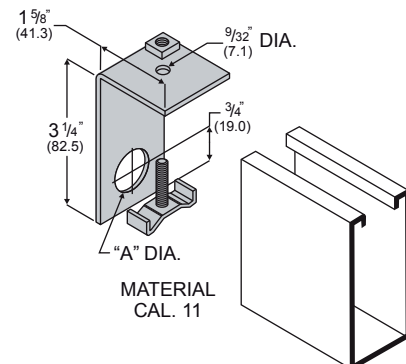
MATERIAL
CAL. 11

Figura	Díámetro de tubo	"A"	Peso / 100 Lbs.	Kg.
SC 566	1/2" (15)	7/8" (22.2)	27	(12.2)
SC 567	3/4" (20)	1 1/16" (27.0)	26	(11.8)
SC 568	1" (25)	1" Tubo Roscado	23	(10.4)



MATERIAL
CAL. 11

Figura	Díámetro de tubo	"A"	Peso / 100 Lbs.	Kg.
SC 569	1/2" (15)	7/8" (22.2)	36	(16.3)
SC 570	3/4" (20)	1 1/16" (27.0)	33	(14.9)
SC 571	1" (25)	1" Tubo Roscado	32	(14.5)



MATERIAL
CAL. 11