

Figura	Diámetro de tubo		"A"		"T"		Peso / 100	
							Lbs.	Kg.
SC 530	1/2"	(15)	5/16"	(7.9)	10 Ga.	(3.4)	22	(10.0)
SC 531	3/4"	(20)	5/16"	(7.9)	10 Ga.	(3.4)	26	(11.8)
SC 532	1"	(25)	5/16"	(7.9)	10 Ga.	(3.4)	30	(13.6)
SC 533	1 1/4"	(32)	5/16"	(7.9)	10 Ga.	(3.4)	35	(15.9)
SC 534	1 1/2"	(40)	5/16"	(7.9)	10 Ga.	(3.4)	38	(17.2)
SC 535	2"	(50)	7/16"	(11.1)	1/4"	(6.3)	91	(41.3)
SC 536	2 1/2"	(65)	7/16"	(11.1)	1/4"	(6.3)	104	(47.2)
SC 537	3"	(80)	7/16"	(11.1)	1/4"	(6.3)	130	(58.9)
SC 538	3 1/2"	(90)	7/16"	(11.1)	1/4"	(6.3)	149	(67.6)
SC 539	4"	(100)	9/16"	(14.3)	1/4"	(6.3)	158	(71.6)
SC 540	5"	(125)	9/16"	(14.3)	1/4"	(6.3)	190	(86.2)
SC 541	6"	(150)	9/16"	(14.3)	1/4"	(6.3)	217	(98.4)

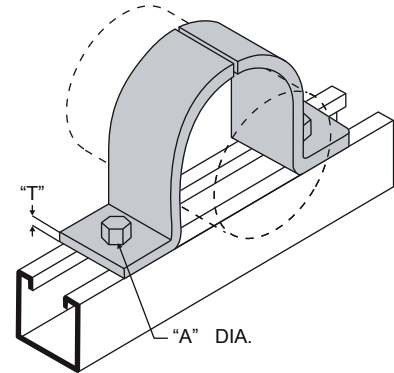


Figura	Diámetro de tubo		"A"		Peso / 100	
					Lbs.	Kg.
SC 542	1/2"	(15)	2 1/2"	(63.5)	31.6	(14.3)
SC 543	3/4"	(20)	2 5/8"	(66.6)	33.4	(15.1)
SC 544	1"	(25)	2 3/4"	(69.8)	35.7	(16.2)
SC 545	1 1/4"	(32)	2 7/8"	(73.0)	38.2	(17.3)
SC 546	1 1/2"	(40)	3"	(76.2)	40.2	(18.2)
SC 547	2"	(50)	3 1/4"	(82.5)	44.7	(20.3)

