

SC 442

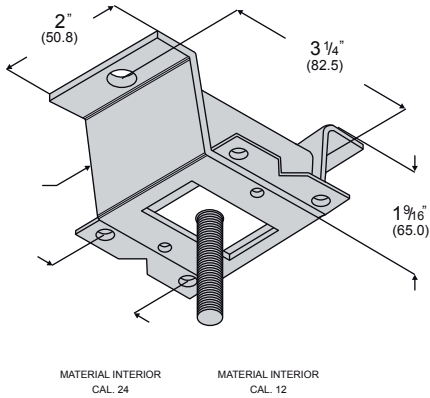


Figura	A		B		Peso / 100	
	Lbs.	Kg.	Lbs.	Kg.	Lbs.	Kg.
SC 443	1/4"-20	1/4"	(6.2)	10.6	(4.8)	
SC 444	5/16"-18	5/16"	(7.9)	13.1	(5.9)	
SC 445	3/8"-16	3/8"	(9.5)	15.6	(7.1)	
SC 446	1/2"-13	3/8"	(9.5)	15.0	(6.8)	
SC 447	1/2"-13	1/2"	(12.7)	20.0	(9.1)	
SC 448	5/8"-11	3/8"	(9.5)	13.1	(5.9)	
SC 449	5/8"-11	1/2"	(12.7)	18.8	(8.5)	
SC 450	3/4"-10	1/2"	(12.7)	17.5	(7.9)	
SC 451	7/8"-10	1/2"	(12.7)	15.6	(7.1)	
SC 452	3/8"-16	3/8"	(9.5)	13.1	(5.9)	
SC 453	1/2"-13	1/2"	(12.7)	15.0	(6.8)	

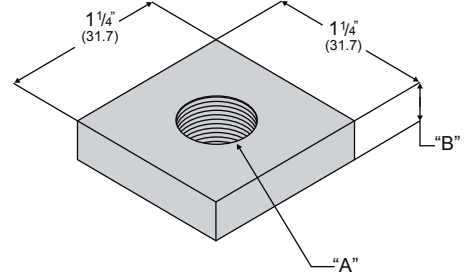


Figura	A		B		Peso / 100	
	Lbs.	Kg.	Lbs.	Kg.	Lbs.	Kg.
SC 454	3/8"-16	3/8"-16	28	(12.7)		
SC 455	1/2"-13	1/8"-13	36	(16.3)		

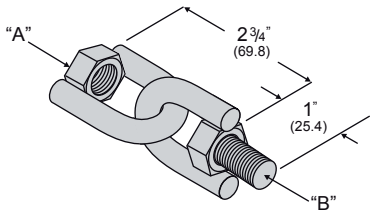


Figura	A		Peso / 100	
	Lbs.	Kg.	Lbs.	Kg.
SC 456	3/8"-16	26	(11.8)	
SC 457	1/2"-13	31	(14.0)	

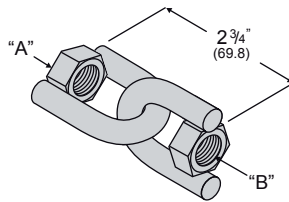
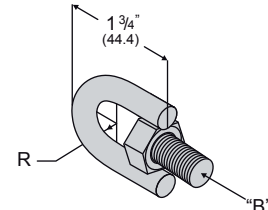


Figura	B		R		Peso / 100	
	Lbs.	Kg.	Lbs.	Kg.	Lbs.	Kg.
SC 458	3/8"-16	9/32"	(7.1)	16	(7.2)	
SC 459	1/2"-13	3/8"	(9.5)	20	(9.1)	



SC 462

Figura	A		R		Peso / 100	
	Lbs.	Kg.	Lbs.	Kg.	Lbs.	Kg.
SC 460	3/8"-16	9/32"	(7.1)	13	(5.9)	
SC 461	1/2"-13	3/8"	(9.5)	15	(6.8)	

