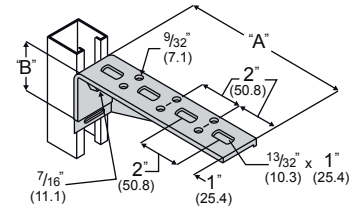


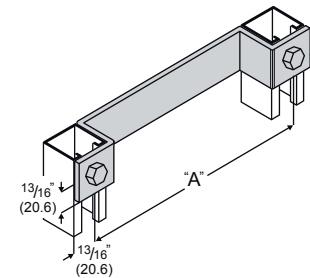
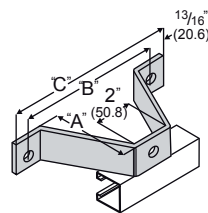
Figura	A		B		Carga		Peso / 100	
	in	(mm)	in	(mm)	Lbs.	Kn.	Lbs.	Kg.
SC 409	6"	(152.4)	1 15/16"	(49.2)	225	(1.00)	58	(26.3)
SC 410	8"	(203.2)	2 7/16"	(61.9)	225	(1.00)	82	(37.2)
SC 411	10"	(254.0)	42 15/16"	(74.6)	325	(1.44)	103	(46.7)
SC 412	12"	(304.8)	3 7/16"	(87.3)	350	(1.55)	143	(64.8)
SC 413	14"	(355.6)	3 15/16"	(100.0)	350	(1.55)	162	(73.5)
SC 414	16"	(406.4)	4 7/16"	(112.7)	250	(1.11)	204	(92.5)
SC 415	18"	(457.2)	4 15/16"	(125.4)	250	(1.11)	232	(105.2)
SC 416	20"	(508.0)	5 7/16"	(138.1)	250	(1.11)	275	(124.7)
SC 417	22"	(558.8)	5 15/16"	(150.8)	250	(1.11)	317	(143.8)
SC 418	24"	(609.6)	6 7/16"	(163.5)	225	(1.00)	370	(167.8)
SC 419	26"	(660.4)	6 15/16"	(176.2)	225	(1.00)	425	(192.8)
SC 420	28"	(711.2)	7 7/16"	(188.9)	225	(1.00)	480	(217.7)
SC 421	30"	(762.0)	7 15/16"	(201.6)	225	(1.00)	520	(235.9)



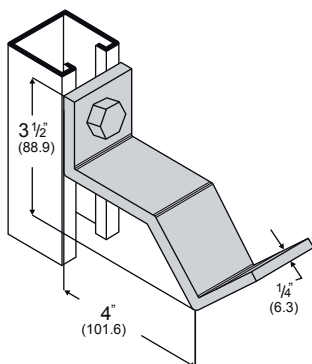
MATERIAL CAL. 12

Figura	A	(A)	B	(B)	C	(C)	Peso / 100	
	in	(mm)	in	(mm)	in	(mm)	Lbs.	Kg.
SC 422	2 3/8"	(60.3)	6"	(152.4)	7 5/8"	(193.7)	110	(49.9)
SC 423	4 3/8"	(111.1)	8"	(203.2)	9 5/8"	(244.5)	164	(74.4)
SC 424	6 3/8"	(161.9)	10"	(254.0)	11 5/8"	(295.3)	200	(90.7)
SC 425	8 3/8"	(212.7)	12"	(304.8)	13 5/8"	(346.1)	253	(114.7)
SC 426	10 3/8"	(263.5)	14"	(355.6)	15 5/8"	(396.9)	318	(144.2)

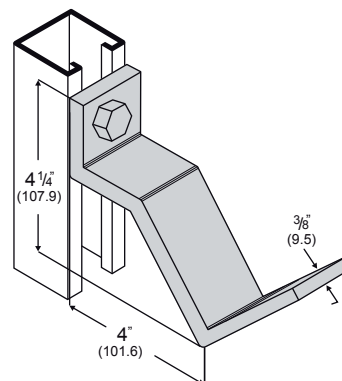
Figura	A	(A)	Peso / 100	
	in	(mm)	Lbs.	Kg.
SC 427	12"	(304.8)	176	(79.8)
SC 428	15"	(381.0)	202	(91.6)
SC 429	18"	(457.2)	234	(106.1)



**SC-430**



**SC-431**



**SC-432**

