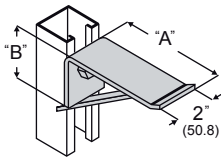
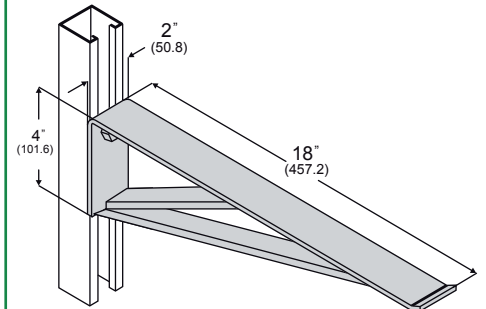


Figura	A		B		Carga		Peso / 100	
	Lbs.	Kg.	Lbs.	Kg.	Lbs.	Kg.	Lbs.	Kg.
SC 392	4 1/2"	(114.3)	2 3/8"	(60.3)	2400	(10.67)	74	(33.5)
SC 393	8 1/2"	(215.9)	2 5/8"	(60.3)	1270	(5.65)	124	(56.2)
SC 394	12 1/2"	(317.5)	4"	(101.6)	860	(3.82)	184	(83.4)



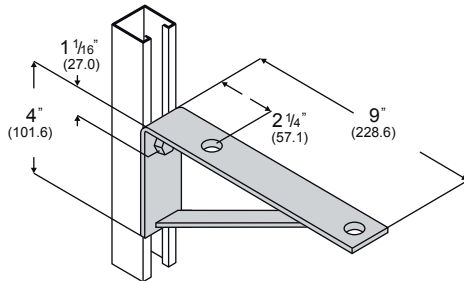
MATERIAL CAL. 11

**SC-395**

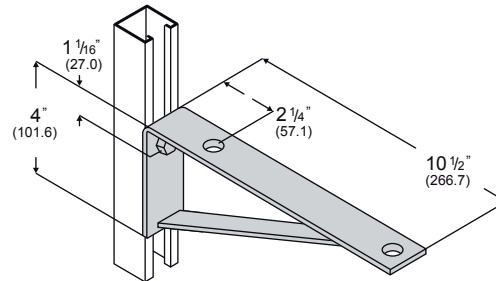


MATERIAL CAL. 11

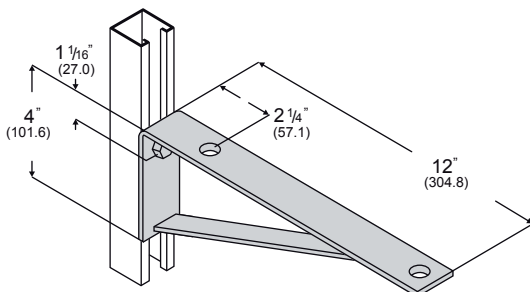
**SC-396**



**SC-397**



**SC-398**



**SC-399**

