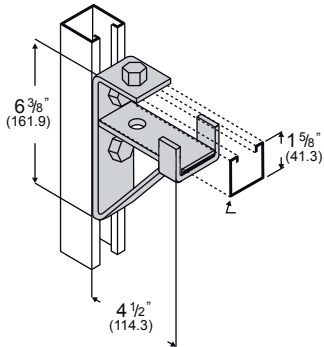
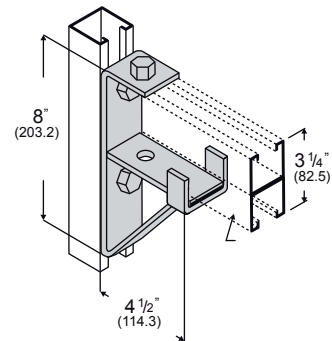


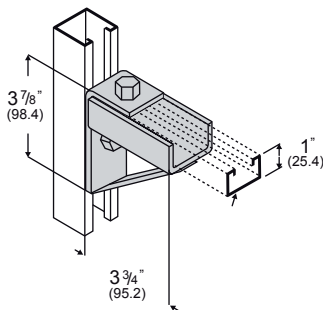
SC-360



SC-361



SC-362



SC-363

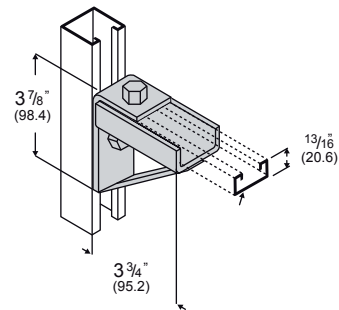


Figura	Placa Reforzada		Peso / 100 Lbs. / Kg.	
SC 364	Placa Reforzada		65	(29.4)
Figura	A	Carga Lbs. / Kn.	Peso / 100 Lbs. / Kg.	
SC 365	6" (152.4)	1920 (8.54)	152	(69.8)
SC 366	9" (228.6)	1280 (5.69)	195	(88.4)
SC 367	12" (304.8)	960 (4.27)	232	(105.2)
SC 368	14" (355.6)	800 (3.56)	274	(124.3)

Figura	Placa Reforzada		Peso / 100 Lbs. / Kg.	
SC 369	Placa Reforzada		117	(53.0)
Figura	A	Carga Lbs. / Kn.	Peso / 100 Lbs. / Kg.	
SC 370	12" (304.8)	2000 (8.89)	485	(220.0)
SC 371	18" (457.2)	1330 (5.91)	668	(303.0)
SC 372	24" (609.6)	1000 (4.45)	857	(388.7)
SC 373	30" (762.0)	800 (3.56)	1040	(471.7)
SC 374	36" (914.4)	660 (2.93)	1240	(562.4)

