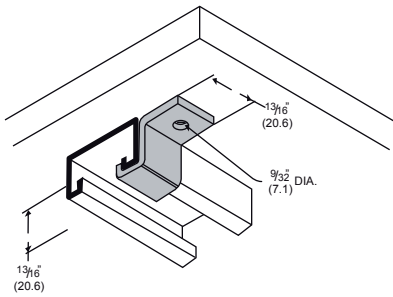
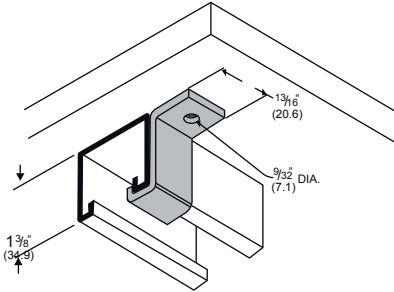


SC-326



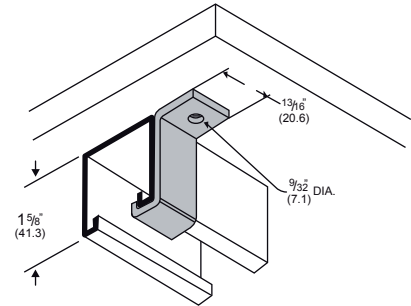
MATERIAL CAL. 11

SC-327



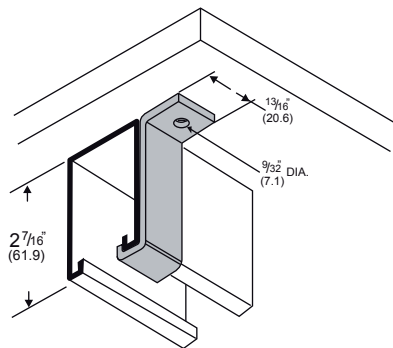
MATERIAL CAL. 11

SC-328



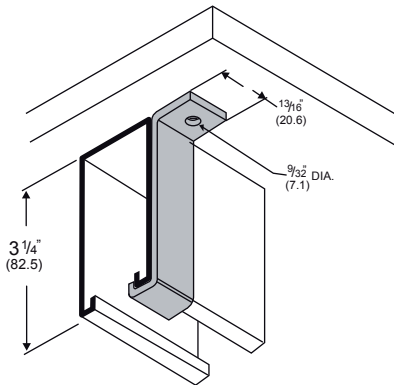
MATERIAL CAL. 11

SC-329



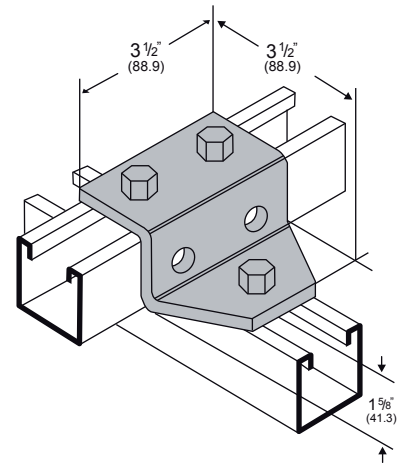
MATERIAL CAL. 11

SC-330

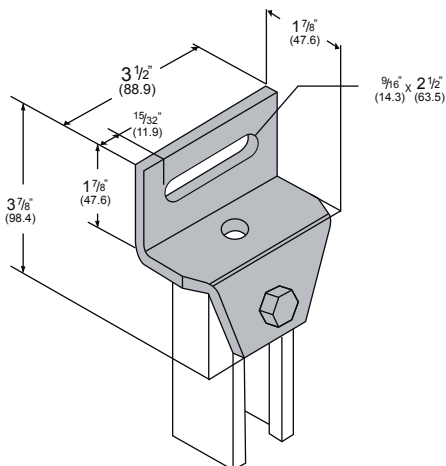


MATERIAL CAL. 11

SC-331



SC-332



SC-333

