

Figura	A	(A)	B	(B)	Peso / 100	
					Lbs.	Kg.
SC 202	12"	(304.8)	10 1/8"	(257.2)	170	(77.1)
SC 203	16 5/8"	(422.3)	13 3/8"	(339.7)	230	(104.3)
SC 204	18"	(457.2)	14 3/8"	(365.1)	238	(107.9)

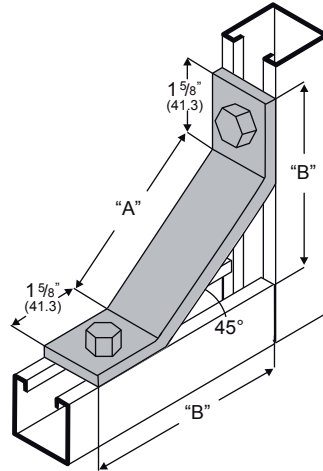
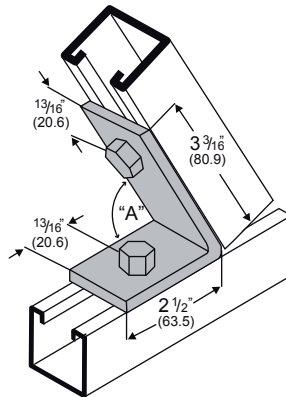


Figura	A	Peso / 100	
		Lbs.	Kg.
SC 205	82 1/2°	56	(25.4)
SC 206	75°		
SC 207	67 1/2°		
SC 208	60°		
SC 209	52 1/2°		
SC 210	37 1/2°		



SC-211

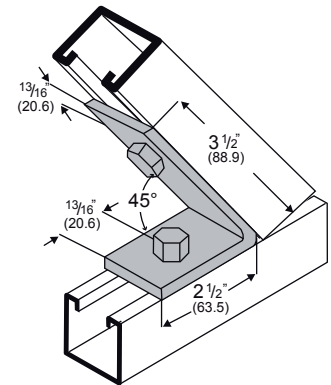


Figura	A	Peso / 100	
		Lbs.	Kg.
SC 212	82 1/2°	95	(43.1)
SC 213	75°		
SC 214	67 1/2°		
SC 215	60°		
SC 216	52 1/2°		
SC 217	45°		
SC 218	37 1/2°		

