

SC 124

Figura	A	(A)	Diámetro de tornillo	Peso/100	
				Lbs.	Kg.
SC 114	11/32"	(8.7)	5/16"	18	(8.1)
SC 115	7/16"	(11.1)	3/8"	18	(8.1)
SC 116	9/16"	(14.2)	1/2"	16	(7.3)
SC 117	11/16"	(17.4)	5/8"	15	(6.8)
SC 118	13/16"	(20.6)	3/4"	14	(6.4)

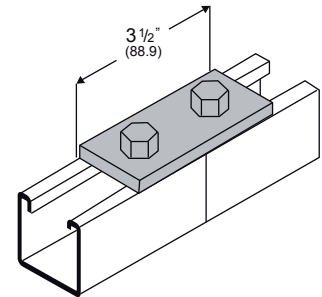
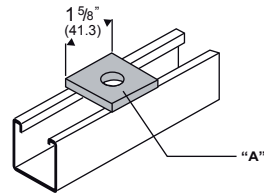
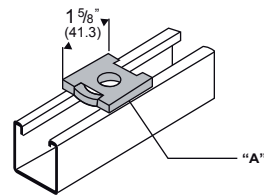
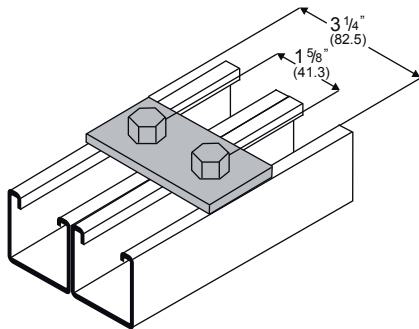


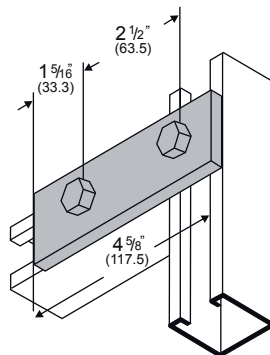
Figura	A	(A)	Diámetro de tornillo	Peso/100	
				Lbs.	Kg.
SC 119	11/32"	(8.7)	5/16"	18	(8.1)
SC 120	7/16"	(11.1)	3/8"	18	(8.1)
SC 121	9/16"	(14.2)	1/2"	16	(7.3)
SC 122	11/16"	(17.4)	5/8"	15	(6.8)
SC 123	13/16"	(20.6)	3/4"	14	(6.4)



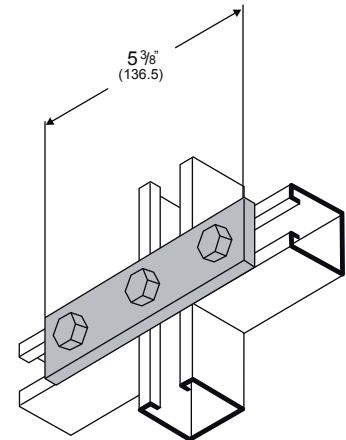
SC-125



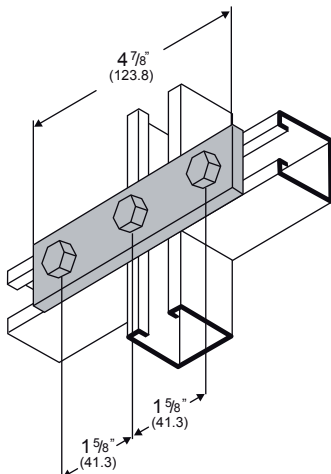
SC-126



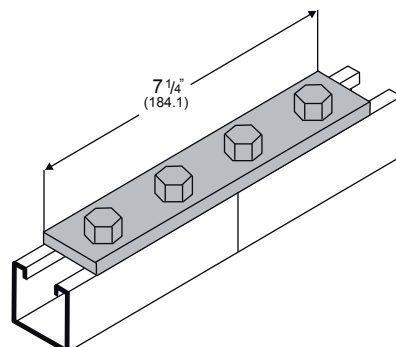
SC-127



SC-128



SC-129



SC-130

